

Product Discontinuation Notice

December 2009

Type G4B Series

No.YPE-G4B-0216

Discontinuation Notice of Panel Mount Relay Type G4B series

Product Discontinuation



Type G4B Series



Recommended Replacement

Type G7L-1A-TUB
Type LY1F

Discontinuation date : Sep 29, 2010

Latest possible order date: Jun 29, 2010

Caution on recommended replacement

- Terminals for LY1F and G7L will not match up exactly with G4B Relay Models.
- The size of LY1F is smaller than type G4B.
- The size of G7L-1A-TUB is larger than type G4B.
- The Load Rating is not as Robust for LY1F versus G4B especially G4B-RP. Testing in application is recommended.
- The operating specification is different. Recommend testing either G7L-1A-TUB or LY1F in application.
- Latest possible order date is subject to factory capacity prior to June 29, 2010. Recommend ordering before April 1, 2010.
- MJN1Z-E-RP can serve as substitute for G4B SPDT High Capacity Models.

Difference from discontinued product

Model	Body Color	Dimensions	Wire connection	Mounting Dimensions	Characteristics	Operation ratings	Operation methods
G7L-1A-TUB	--	--	*	--	*	--	**
LY1F	--	--	*	--	--	--	**

** : Fully compatible

* : The change is a little / Almost compatible

-- : Not compatible

- : No corresponding specification

Product Discontinuation and recommended replacement

Product discontinuation	Recommended replacement
Type G4B-112T(1)-(-US) SPST-NO	Type G7L-1A-TUB SPST-NO
Type G4B-112T(1)-C(-US) SPDT	Type LY1F SPDT

Body color

Product discontinuation	Recommended replacement
Type G4B Series Black	Type G7L-1A-TUB Ivory Type LY1F Clear

Resistive Load Rating

Product discontinuation	Recommended replacement
Type G4B-112T(1)-(-C)-US = 15A @ 220VAC = 15A @ 24VDC G4B-112T(1)-(-FD)-(-C)-US-RP = 25A @ 220VAC = 15A @ 24VDC	Type G7L-1A-TUB = 30A @ 220VAC Type LY1F = 15A @ 110VAC, 24VDC

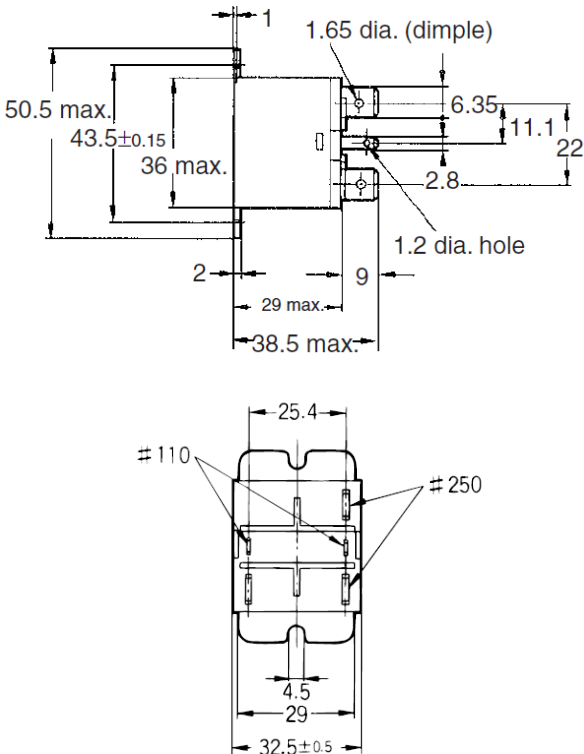
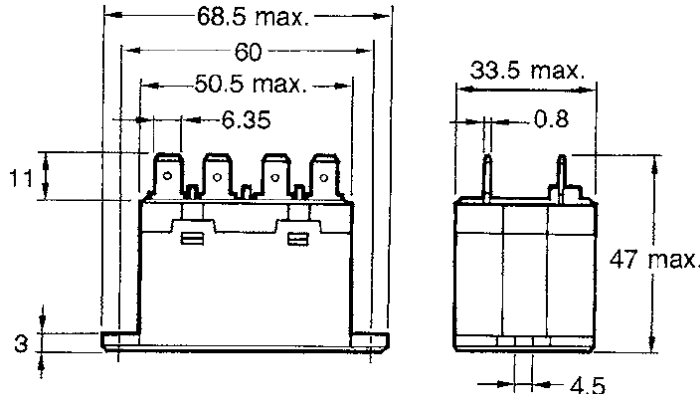
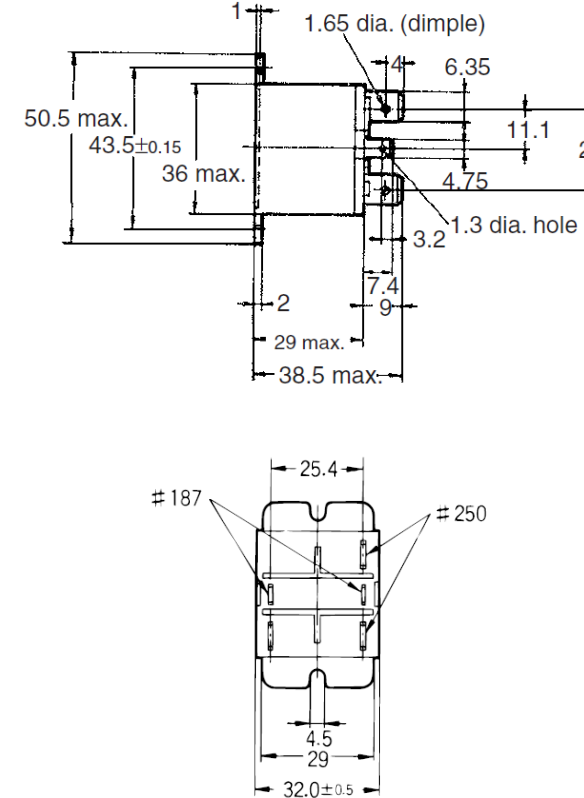
Inductive Load Rating

Product discontinuation	Recommended replacement
Type G4B All = 10A @ 220VAC $\cos \Phi = 0.4$ = 7A @ 24VDC L/R = 7ms	Type G7L-1A-TUB = 25A @ 220VAC $\cos \Phi = 0.4$ Type LY1F = 10A @ 110VAC $\cos \Phi = 0.4$ = 7A @ 24VDC L/R = 7ms

UL Horsepower Rating

Product discontinuation	Recommended replacement
Type G4B-112T(1)-(-C)-US = 1 HP @ 120VAC G4B-112T(1)-(-FD)-(-C)-US-RP = 1 HP @ 120VAC	Type G7L-1A-TUB = 1.5 HP @ 120VAC Type LY1F = 0.5 HP @ 120VAC

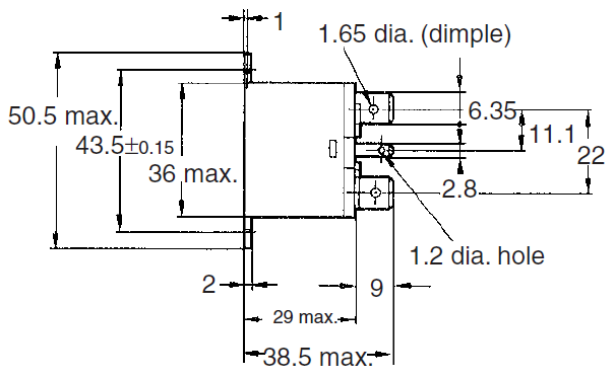
Dimensions

Product discontinuation	Recommended replacement
<p>G4B-112T(-US)</p>  <p>Side view dimensions: 1, 1.65 dia. (dimple), 50.5 max., 43.5±0.15, 36 max., 6.35, 11.1, 22, 2.8, 1.2 dia. hole, 2, 9, 29 max., 38.5 max.</p> <p>Top view dimensions: 25.4, #110, #250, 4.5, 29, 32.5±0.5</p>	<p>G7L-1A-TUB</p>  <p>Side view dimensions: 68.5 max., 60, 50.5 max., 6.35, 11, 3, 47 max., 4.5</p> <p>Top view dimensions: 33.5 max., 0.8</p> <p>Size of tab terminal: All #250</p>
<p>G4B-112T1(-US)</p>  <p>Side view dimensions: 1, 1.65 dia. (dimple), 50.5 max., 43.5±0.15, 36 max., 4, 6.35, 11.1, 22, 4.75, 1.3 dia. hole, 3.2, 7.4, 9, 2, 29 max., 38.5 max.</p> <p>Top view dimensions: 25.4, #187, #250, 4.5, 29, 32.0±0.5</p>	

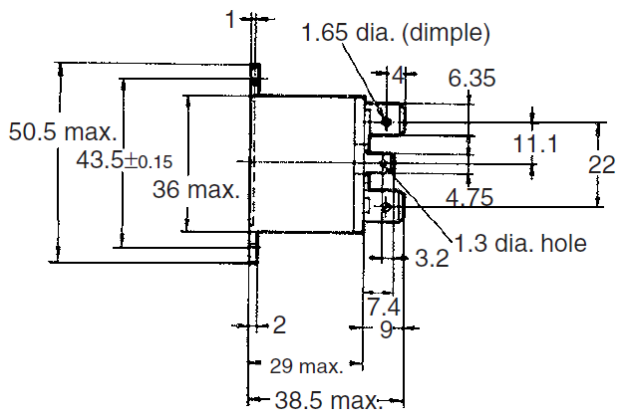
Dimensions

Product discontinuation

G4B-112T-C(-US)

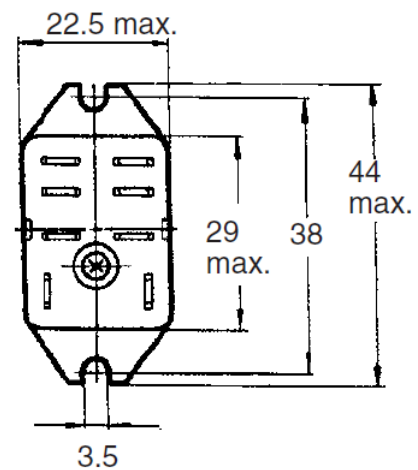
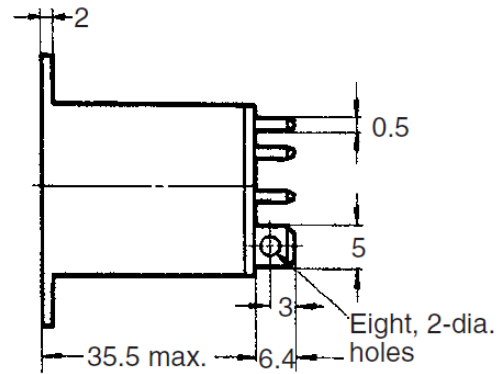


G4B-112T1-C(-US)



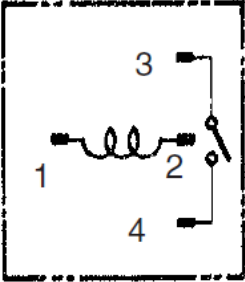
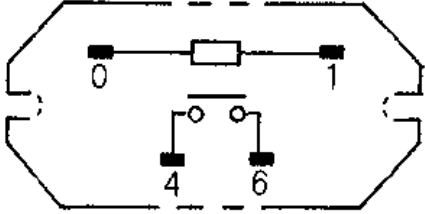
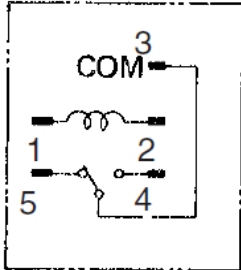
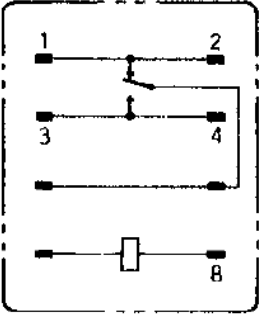
Recommended replacement

LY1F

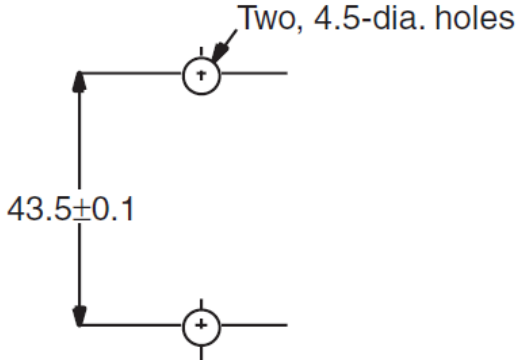
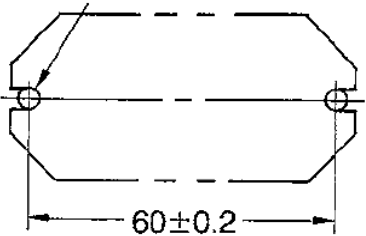
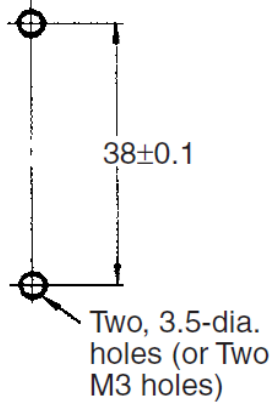


Size of tab terminal: All #187

Wire Connection

Product discontinuation	Recommended replacement
<p>G4B-112T(1)(-US)</p>  <p>(Top View)</p> <p>No polarity in coil.</p>	<p>G7L-1A-TUB</p> <p>(Top View)</p>  <p>No polarity in coil.</p>
<p>G4B-112T(1)-C(-US)</p>  <p>(Top View)</p> <p>No polarity in coil.</p>	<p>LY1F</p>  <p>(Bottom view)</p> <p>No polarity in coil.</p>

Mounting dimensions

Product discontinuation	Recommended replacement
<p>G4B-112T(1)(-US) G4B-112T(1)-C(-US)</p>  <p>Two, 4.5-dia. holes</p> <p>43.5±0.1</p>	<p>G7L-1A-TUB</p> <p>Two, 4.5-dia. hole or M4 tapped holes</p>  <p>60±0.2</p>
	<p>LY1F</p>  <p>38±0.1</p> <p>Two, 3.5-dia. holes (or Two M3 holes)</p>

Characteristics

Product discontinuation	Recommended replacement
Please refer to Comparison File.	Please refer to Comparison File.

Operation ratings

Product discontinuation	Recommended replacement
Please refer to Comparison File.	Please refer to Comparison File.

Operation methods

Product discontinuation	Recommended replacement
Input voltage to relay coil terminals	Input voltage to relay coil terminals