

Specifications

Electrical Ratings	50mA @ 50VDC	Dielectric Strength	1000Vrms min
Electrical Life	100,000 cycles typical	Insulation Resistance	≥ 100MΩ min
Contact Resistance	≤ 50mΩ initial	Operating Temperature	-40°C to +85°C
Actuation Force	160gF ± 50gF 260gF ± 50gF	Storage Temperature	-40°C to +85°C
Actuation Travel	.25 ± 0.1mm		

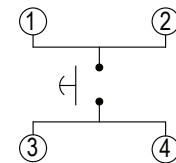
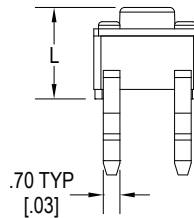
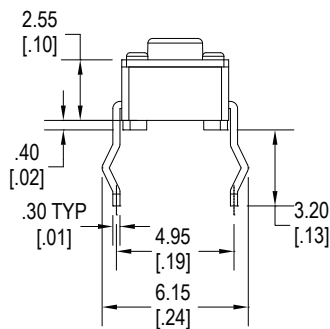
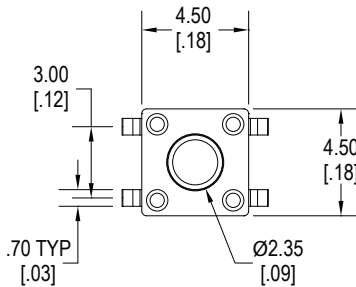
Materials

Actuator	6/6 Nylon
Base	6/6 Nylon
Cover	Polyester
Contacts	Phosphor Bronze, Silver Plated
Terminals	Brass, Silver Plated

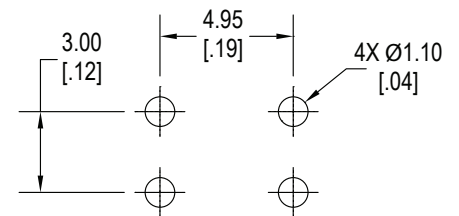
Ordering Information

1. Series	CT1104	3.8	F160
CT1104			
2. Actuation Length "L"	3.8 = 3.8mm		
3. Actuation Force			
F160 = 160gF			
F260 = 260gF			

Dimensions



Schematic



PC Layout